

TECHNICAL SPECIFICATIONS



- ➔ Motor and electromechanic devices integrated into body.
- ➔ Photocell controlled and adjustable spraying duration.
- ➔ Full body sanitization by dose system, specially oriented nozzles and height sensor (opt.).
- ➔ Motorized turnstile with various wing options and compatible with all access control systems.
- ➔ Can be shipped disassembled, easy assembly and installation, possible to use without installation for temporary applications.
- ➔ Integratable with Thermoscanner and Thermal Cameras (opt.).

- GOVERNMENT FACILITIES**
- HOSPITALS**
- MILITARY SITES**
- BUSINESS CENTERS**
- SHOPPING MALLS**
- MARKET PLACES**
- ALL COLLECTIVE LIVING PLACES**

GENERAL SPECIFICATIONS

Body Features	Electrostatic powder coated on galvanised steel, optionally stainless steel (304 or 316 grade).
Turnstile Wing Features	304 grade stainless steel turnstile wings (opt. Different wing materials)
Dimensions	1500 x 1140 x 2300 mm
Clear Passage Width	1200 mm
Clear Passage Height	2200 mm
Power	110/220V - 50/60Hz AC (±%10) 24V DC ~29 W at stand-by, ~58 W during sanitization, ~119 W at wing opening.
Passage Area Illumination	LED
Operation Temperature, Humidity, IP Rating	(-20°C) – (+68°C) (Opt:- 50°C with heater positive), RH 95% (±2%) non-condensing), IP 54 for outdoor use, (specifications of sanitizer liquid supplier shall be considered additionally).

TECHNICAL SPECIFICATIONS

Transportation - Convenience	Possibility of disassembled transportation, easy assembly and installation, can be used without ground installation for temporary applications.
-------------------------------------	---

SYSTEM SPECIFICATIONS

Indicator Features	LED status and sanitizing indicators are standard. Sanitizing indicator illuminates in red during sanitizing and green when sanitizing is completed.
Control System	Controlled with dry contact (ground control). Optional RS 232, RS 485 or LAN (network) control module is available.
Integration	Biometrics, thermometer and thermal camera can be optionally integrated and compatible with all access control systems.
System Features	<p>System includes a motorized turnstile as standard.</p> <p>Normal Passages: After entering the tunnel, the presence of the person is detected and sanitization takes place for the defined period. Person remains in the tunnel for the defined sanitization period, the turnstile wings open and access is completed.</p> <p>Continuous Passages: Sanitizer is applied uninterruptedly in continuous passages. System turns into stand-by mode in case of no passages for 10 seconds.</p> <p>Passages with Access Control System: Sanitizing is realised after the person has been granted approval by the access control system.</p> <p>The suction hose coming out of the system is immersed in the preferred sanitizing liquid tank. The liquid is sucked from here with a vacuum pump and sprayed from 12 specially oriented nozzles for a complete body sanitizing. Optionally added height sensor provides operation of the suitable nozzles according to the height of the person.</p> <p>An alarm (audio-visual) is available for "out of liquid" situation. In such a case, system gets into OFF mode, and status indicator returns to red cross.</p> <p>Motor and electronic devices are integrated into the tunnel body. Full body sanitization is provided by dose system and specially oriented nozzles. Photocell controlled sanitizer spraying time is adjustable.</p>
Output Data	System provides dry contact passage feedback by relay. System provides busy signal during passage.

FUNCTIONAL SPECIFICATIONS

Passage	<p>Besides working as only a hygiene tunnel, can also work with access control systems (thermometer, thermal camera, biometric and card readers) and controls access. Passage is allowed upon authorisation from the access control system and after sanitization.</p> <p>Access authorization is granted in case of compliance with the designated instructions, otherwise system goes in to alarm mode and restricts access.</p> <p>Passage algorithm can be adjusted based on the command from sanitizing unit and/or access control system or thermometer according to the customer requirements.</p> <p>Person entering sanitizing area is detected by sensors.</p>
----------------	--

TECHNICAL SPECIFICATIONS

System sprays sanitizer to the person through specially oriented nozzles for the defined period.

The person completes the passage after sanitizing process.

Sanitizing liquid is sprayed through the nozzles convenient to the height of the person which is detected by the height sensor (opt.).

System provides rapid passages via the continuous spraying function.

Speed

~10 - 15 passages/minute.

Emergency Mode

System allows free passage in emergency mode and in case of power failure.

Safety

Safety instructions of the sanitizer fluid supplier must be followed.

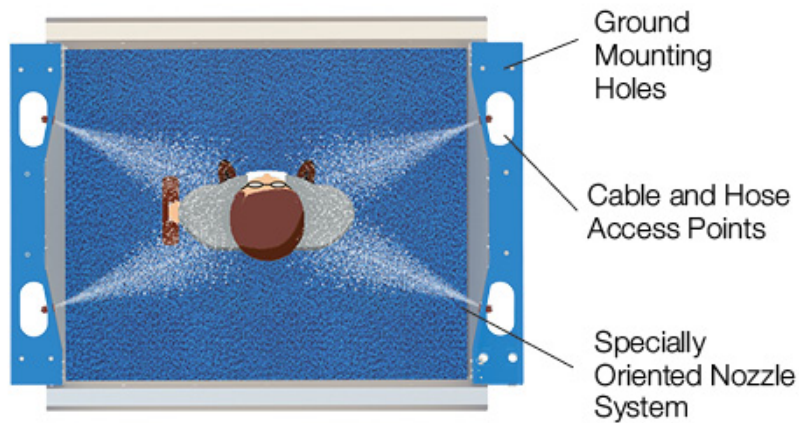
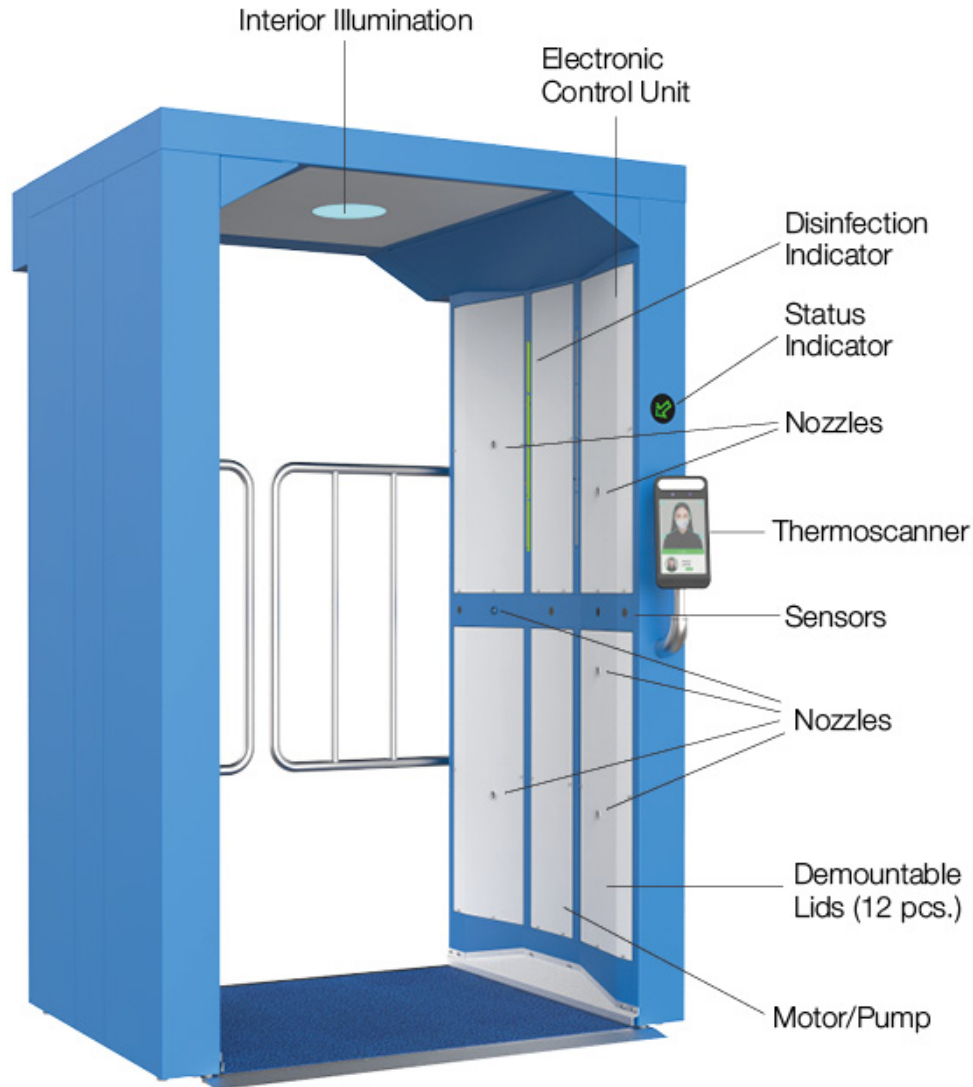
Sanitizing suitable with the height of the person through height sensor (opt.).

Anti-tightening feature by multi-point safety sensor.

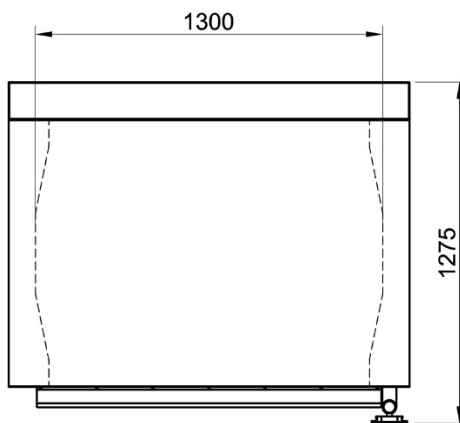
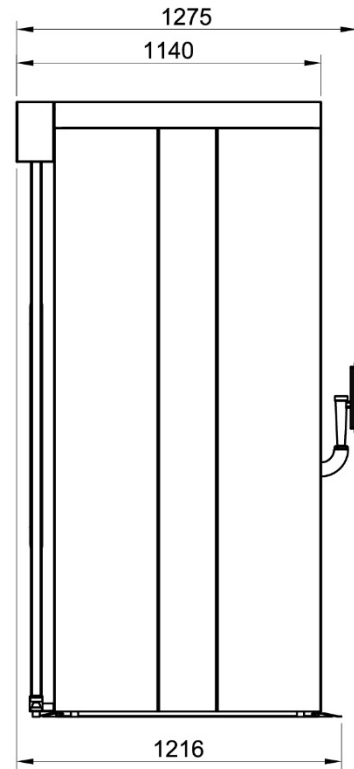
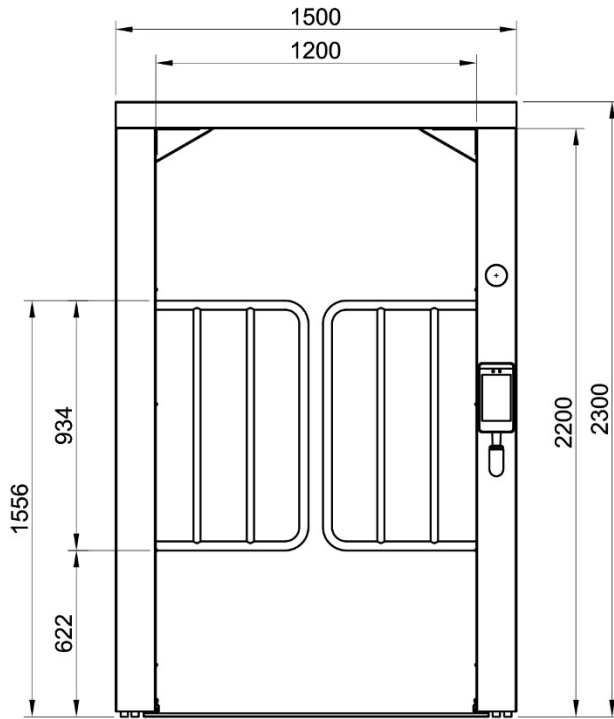
OPTIONAL ACCESORIES AND APPLICATIONS**Options**

Remote Control (receiver&transmitter), Manual Control, Counter, Card Reader Pole, Photocell Alarm Sensor, Limiter, Passive Shoes Sanitizing Bottom Plate, Thermometer, Height Sensor, Different Wing Options.

TECHNICAL SPECIFICATIONS



TECHNICAL SPECIFICATIONS



Design and specifications are subject to change without notice.