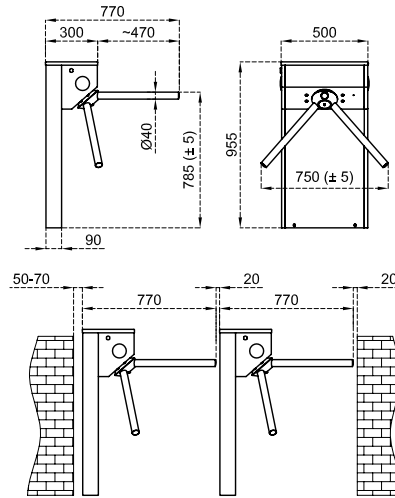






Dimensions (mm)



Technical Features

| | |
|--|---|
| Place of Use | Indoors, outdoors |
| Operating Temperature, Humidity | -20°C/+68°C (opt. -50°C with heater positive), RH 95% non-condensing. |
| Operating Intensity | 100%, 7/24 use. |
| Body Features | Material : 304 grade (opt. 316 grade) stainless steel. Finishing : Orbital brushed matt (opt. electrostatic powder coating on stainless steel). |
| Arms | Automatic Drop (Retractable) Arm : Optional Material : Ø40x2 mm 304 grade (opt. 316 grade) stainless steel, one by one demountable. Finishing : Satine brushed (opt. orbital brushed matt, electrostatic powder coating on stainless steel) |
| Indicators | Side Status / Direction Indicators :   LED, standard. |
| Power | Operating Voltage : 110/220V AC 50/60 Hz. (%±10), 24V DC. Consumption : ~3,1W at stand-by, during passage ~2,6W (varies according to the options and accessories used). |
| Operating Modes | System operates bi-directionally (entry-exit). Operating modes can be adjusted through the buttons and screen on the control card. Entry - exit controlled Entry controlled, exit free Entry free, exit controlled Single input both directions use Entry - exit free |
| Operating System | Electromechanical manual operation (opt. electromechanical motorized operation). |
| Control System | All functions, parameters and operating modes can be adjusted through the buttons and screen on the control card. All inputs are opto-coupler protected. Controllable by dry contact (ground control). Compatible with all kinds of access control device. Optional RS232, RS485 or TCP/IP module is available. |
| Flow Rate | Capacity of mechanism (manual) : Max. 82 cycle/min. Nominal : ~30 pass/min. Capacity of mechanism (motorized) : Max. 75 cycle/min. Nominal : ~25 pass/min. (Passage rate can change depending on the access control system utilized) |
| Emergency Mode | System allows free passage (entry-exit) in both directions (fail safe). Works compatible with fire warning and similar systems. At the end of an emergency situation, system returns to its normal operating mode. |
| Power-off Situation | System allows free passage (entry-exit) in both directions (fail safe). Optionally, can be set (fail secure) as; entry-exit locked, entry free-exit locked, or entry locked-exit free. Free passage in chosen direction by manual override key in fail secure option is available. |
| Weight | ~29 kg |
| Optional Features and Accessories | Automatic drop (retractable) arm, motor driven unit, wireless remote control (receiver-transmitter), manual control, manual override key (with fail secure option), coin slot and coin box, single/multiple intelligent coin/token slot and box, counter (with/without reset), card reader mounting bracket, photocell alarm sensor, passage completion sensor, contactless passage sensor (for motorized models), heater positive, top lid weight sensor, bottom plate, battery back-up, 316 grade stainless steel, RS232-RS485-TCP/IP modules, limiter, top passage indicator, electrostatic powder coating on stainless steel. |