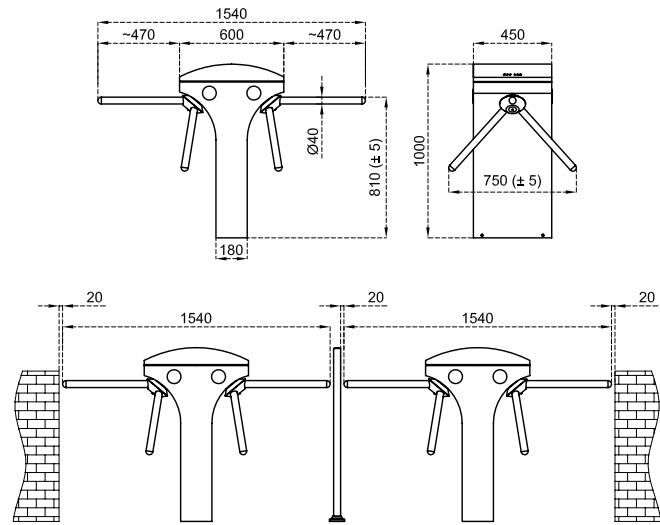


Dimensions (mm)



Technical Features

Place of Use	Indoors, outdoors.
Operating Temperature, Humidity	-20°C/+68°C (opt. -50°C with heater positive), RH 95% non-condensing.
Operating Intensity	100%, 7/24 use.
Body Features	Material : 304 grade (opt. 316 grade) stainless steel. Finishing : Orbital brushed matt (opt. electrostatic powder coating on stainless steel).
Arms	Automatic Drop (Retractable) Arm : Optional Material : Ø40x2 mm 304 grade (opt. 316 grade) stainless steel, one by one demountable. Finishing : Satine brushed (opt. orbital brushed matt, electrostatic powder coating on stainless steel).
Indicators	Side Status / Direction Indicators : LED, standard. Top Passage Indicator : LED, standard.
Power	Operating Voltage : 110/220V AC 50/60 Hz. (%±10), 24V DC. Consumption : ~6,8W at stand-by, during passage ~2,7+2,7W (varies according to the options and accessories used).
Operating Modes	System operates bi-directionally (entry-exit). Operating modes can be adjusted through the buttons and screen on the control card. Entry - exit controlled Entry controlled, exit free Entry free, exit controlled Single input both directions use Entry - exit free
Operating System	Electromechanical manual operation (opt. electromechanical motorized operation).
Control System	All functions, parameters and operating modes can be adjusted through the buttons and screen on the control card. All inputs are opto-coupler protected. Controllable by dry contact (ground control). Compatible with all kinds of access control device. Optional RS232-RS485-TCP/IP module is available.
Flow Rate	Capacity of mechanism (manual) : Max. 164 cycle/min. Nominal : ~60 pass/min. Capacity of mechanism (motorized) : Max. 150 cycle/min. Nominal : ~50pass/min. (Passage rate can change depending on the access control system utilized)
Emergency Mode	System allows free passage (entry-exit) in both directions (fail safe). Works compatible with fire warning and similar systems. At the end of an emergency situation, system returns to its normal operating mode.
Power-off Situation	System allows free passage (entry-exit) in both directions (fail safe). Optionally, can be set (fail secure) as; entry-exit locked, entry free-exit locked, or entry locked-exit free. Free passage in chosen direction by manual override key in fail secure option is available.
Weight	~55 kg
Optional Features and Accessories	Automatic drop (retractable) arm, motor driven unit, wireless remote control (receiver-transmitter), manual control, manual override key (with fail secure option), coin slot and coin box, single/multiple intelligent coin/token slot and box, counter (with/without reset), card reader mounting bracket, photocell alarm sensor, passage completion sensor, contactless passage sensor (for motorized models), heater positive, top lid weight sensor, bottom plate, battery back-up, 316 grade stainless steel, RS232-RS485-TCP/IP modules, limiter, electrostatic powder coating on stainless steel.